

2.4G Paddle Monopole Antenna

FEATURES



- Designed for both Indoor & Outdoor applications
- Ground Plane dependent
- Full 2.4G backward compatibility
- 3.08 dBi Peak Gain
- Small Form Factor



The MyAntenna M02-0600190R0A/M02-0600200R0A/M02-0600360R0A/M02-0600370R0A range of antennas are designed to decrease the lifetime cost of M2M and mobile device installations by offering a robust, effective antenna that is easy to install and lasts the lifetime of the installation without the need for maintenance.

PRODUCTS

Part No.	Weight	Dimensions (L x W x H)	Connector	Color
M02-0600200R0A	6g	47.6*17.2*8.2mm	SMA-Male	Black
M02-0600190R0A	6g	50.5*17.2*10.4mm	SMA-Male	Black
M02-0600360R0A	6g	47.6*17.2*8.2mm	RP-SMA-Male	Black
M02-0600370R0A	6g	50.5*17.2*10.4mm	RP-SMA-Male	Black

SPECIFICATIONS

PARAMETER	SPECIFICATION
Frequency Bands, MHz	2400-2500
VSWR (Max)	3.0:1
Peak Gain, dBi (Typ)	Up to 3.08
Nominal Impedance	50 Ω
Max Power (ambient temp of 25°C)	10 Watts
Azimuth Beam Width (deg)	Omnidirectional
Polarization	Linear
Radome	TPE, Black
Storage Temperature Range (°C)	-40° C to +85° C
Operational Temperature Range (°C)	-30° C to +80° C
Material Substance Compliance	REACH/RoHS Compliant
HSCODE	8517707090
USHSCODE	8517620010
UPC	

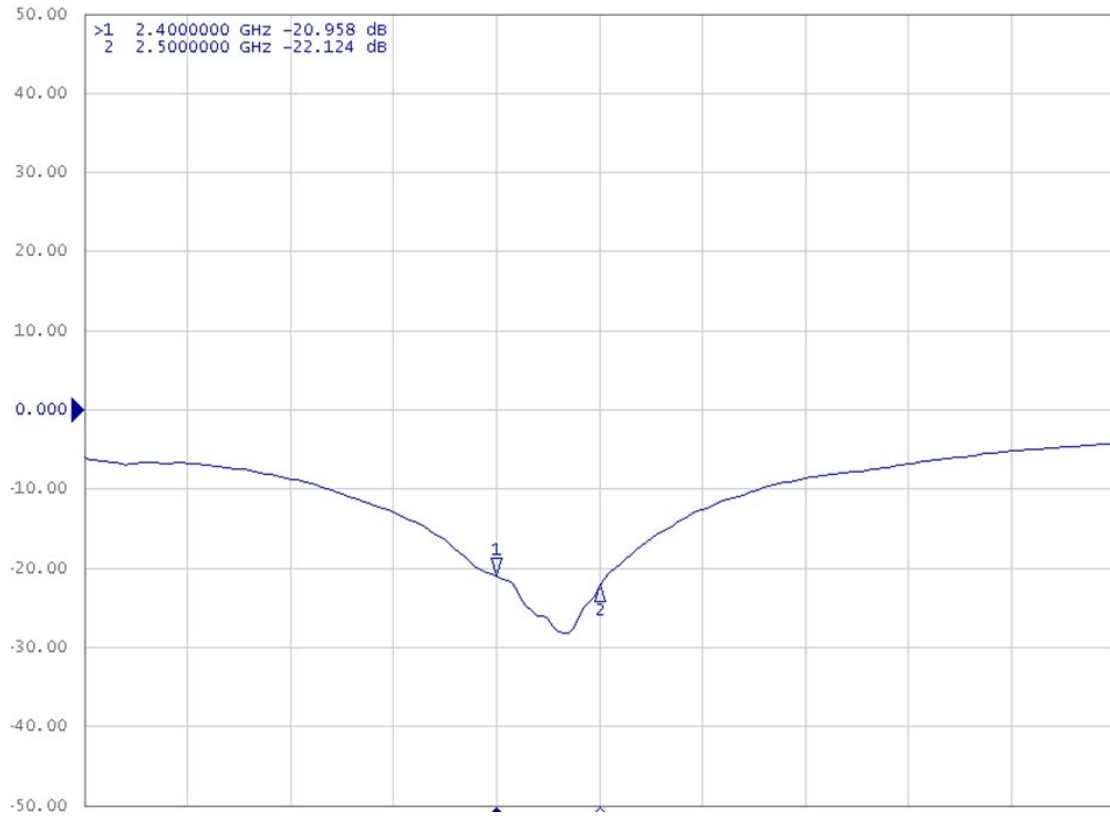
MyAntenna RF Technology Co., Ltd

ADD: No. RM 410, Country Garden Phoenix Wisdom Valley, No. 50 Tiezai Road, Baoan District, Shenzhen, P.R. China

TEL: +86-0755-86503881 E-mail: nfc@imyantenna.com

ELECTRICAL DATA

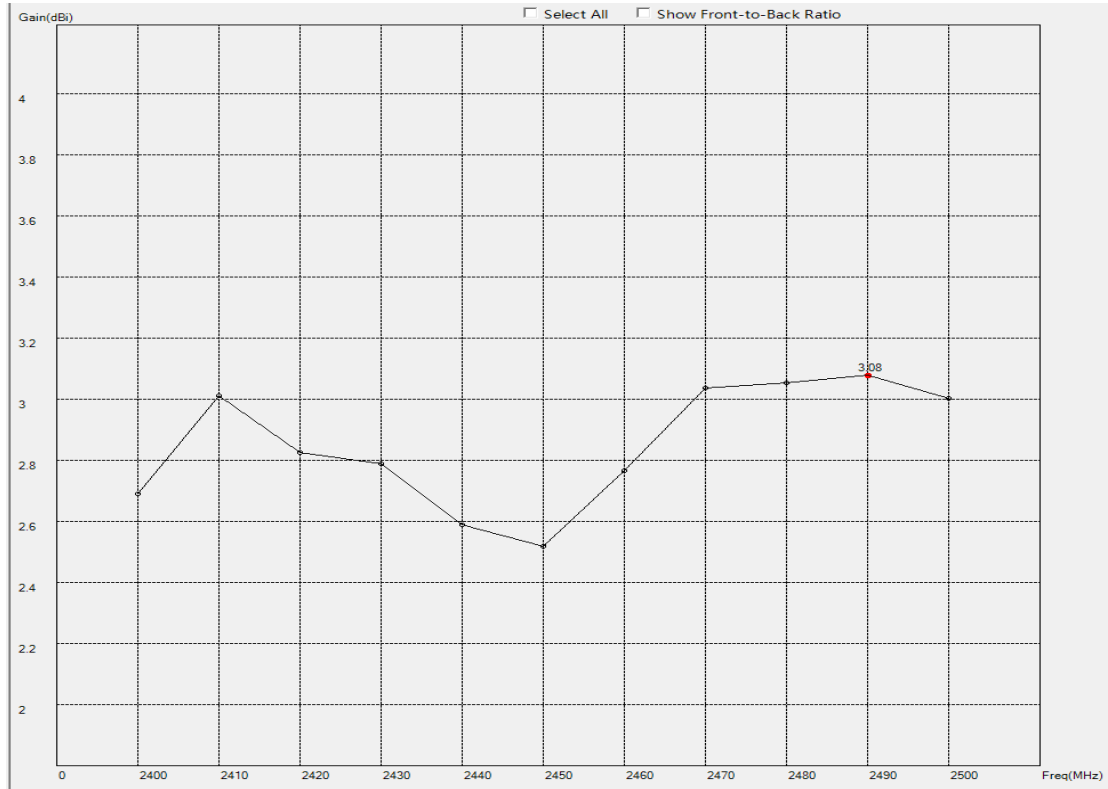
Return Loss



Efficiency (%)

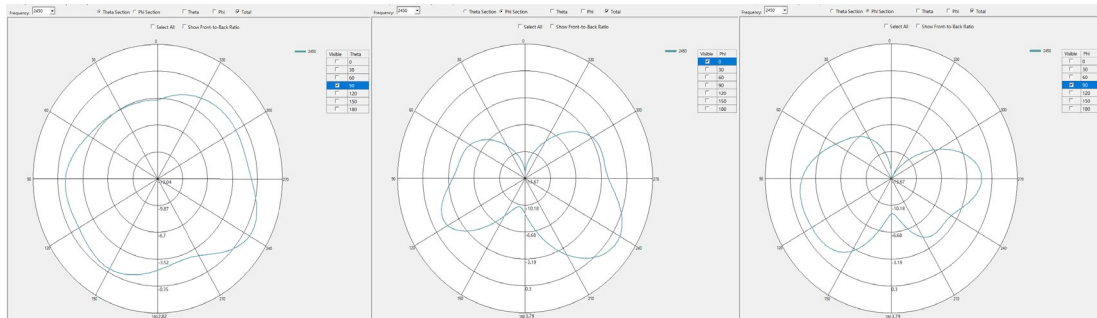


Peak Gain (dBi)



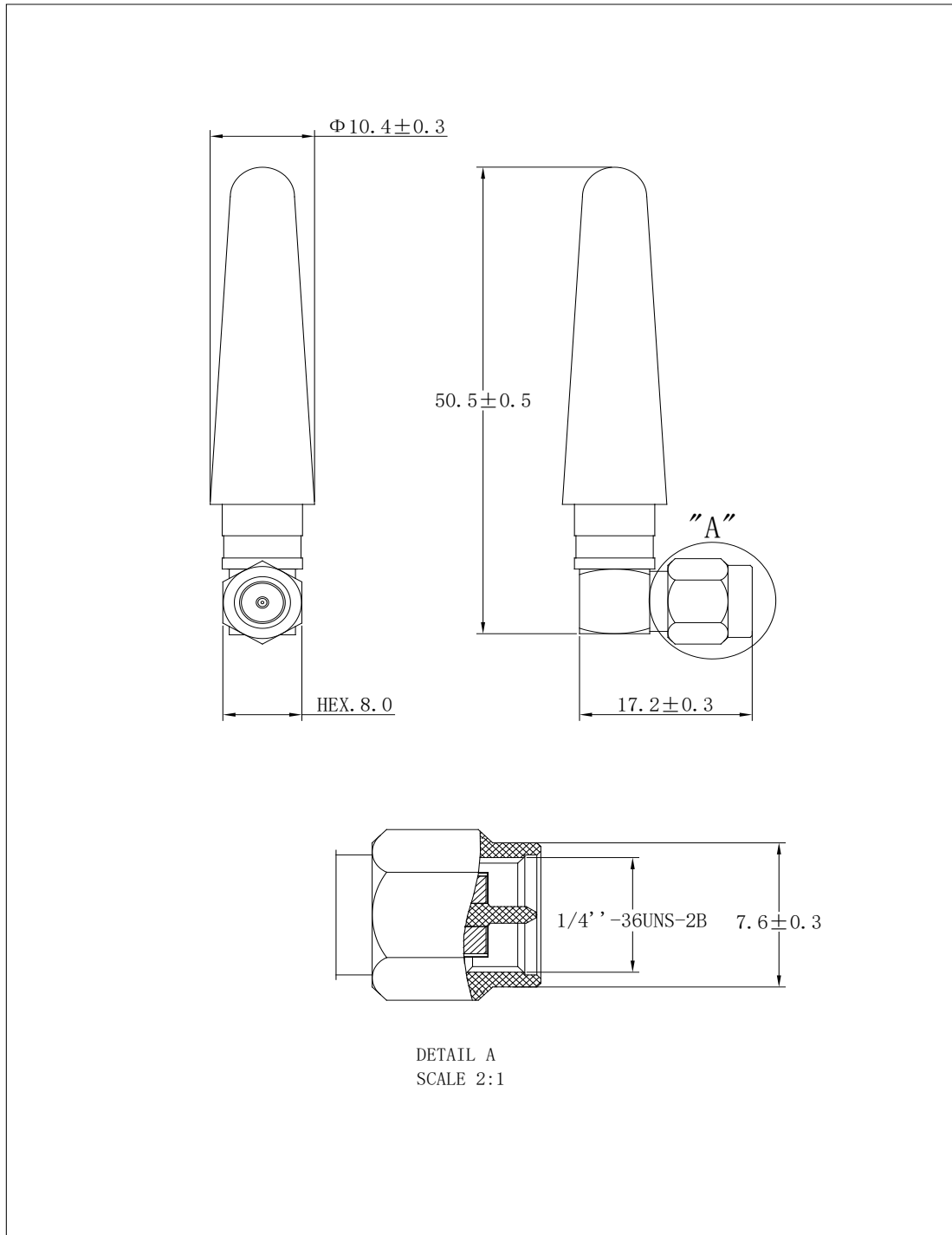
RADIATION PATTERNS

2D Radiation Pattern at 2450MHz

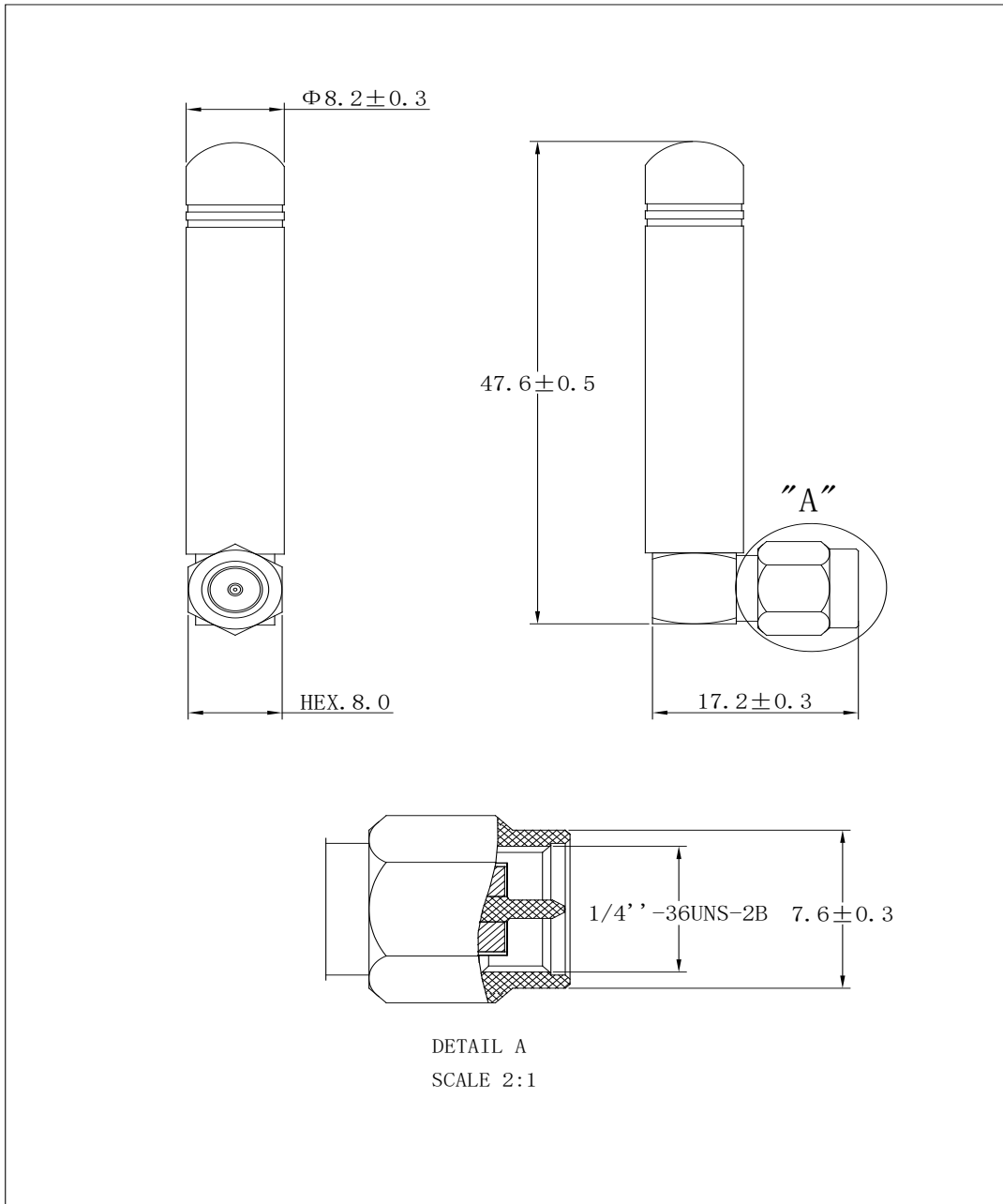


HOUSING CONFIGURATIONS

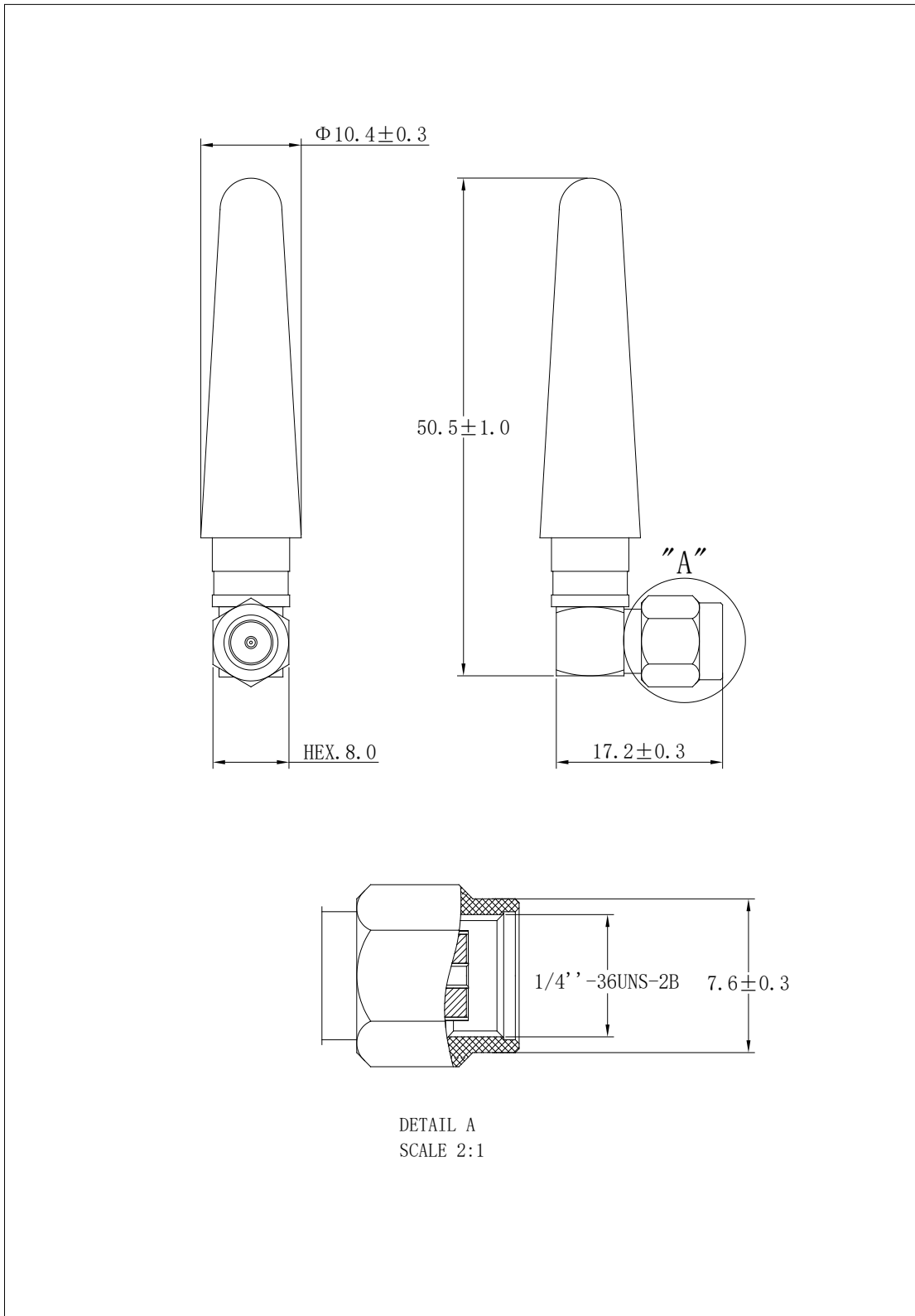
M02-0600190R0A



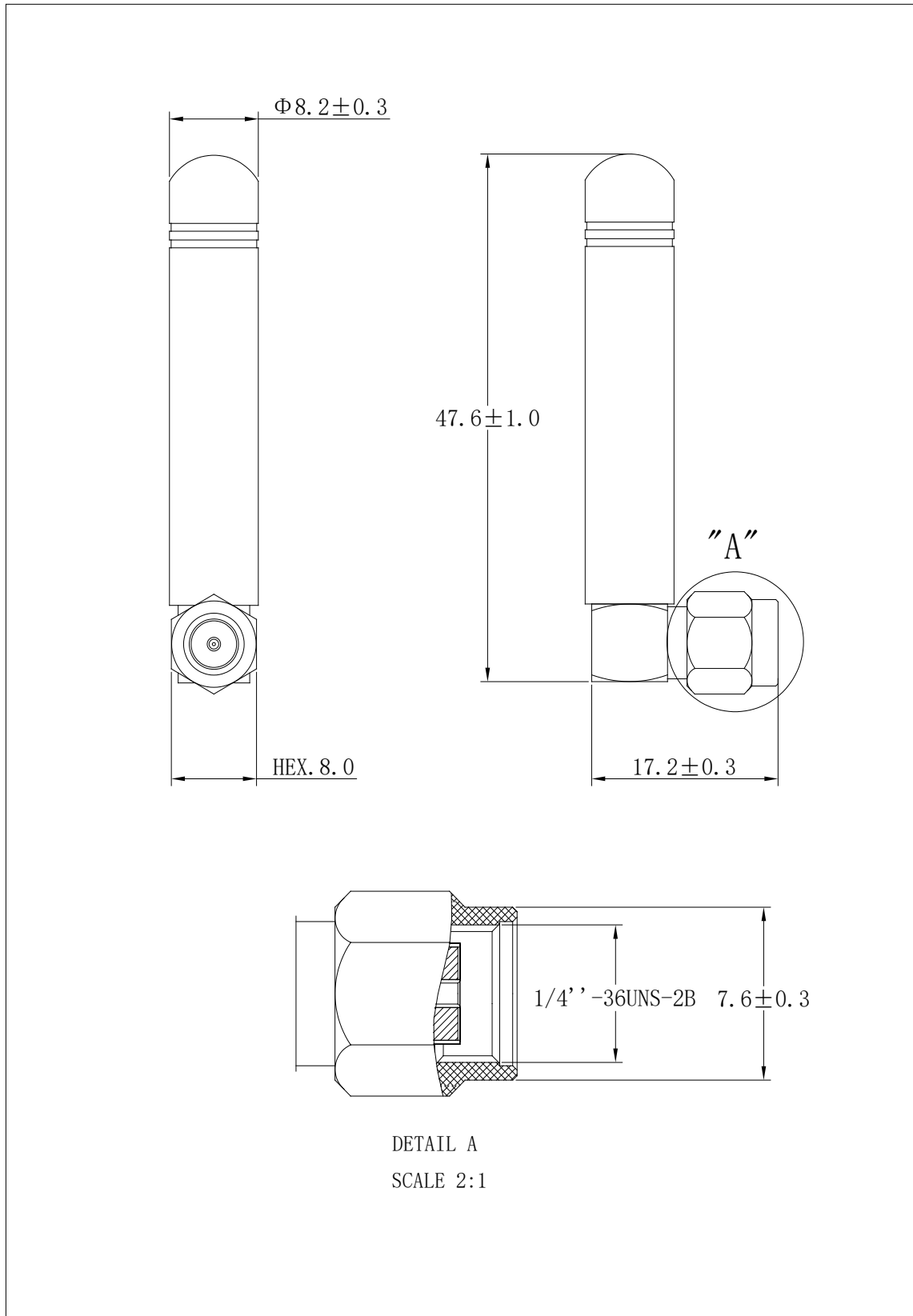
M02-0600200R0A



M02-0600370R0A



M02-0600360R0A



Abosty™ is owned by Shenzhen MyAntenna RF Technology Co., Ltd. (often abbreviated as MyAntenna).