

4G Round PIFA Antenna

FEATURES



- Low Profile
- High Performance
- Anti-metal PIFA Antenna
- Ground Plane Independent
- Customizable Cable and Connector
- Adhesive, magnet, screw fixation installation mode, to meet a variety of different surfaces



This ground plane independent PIFA antenna can be installed on any surface via the single screw, magnetic or adhesive mount, including metallic cabinet. The housing is manufactured with IP67/IP69 rated ABS UV stable material resisting dust, sand, and water in addition offers durability for long term usage in outdoor or indoor applications.

The antenna offers ground-plane independent Omni-directional performance across global cellular and LTE bands making it a versatile solution for any number of applications. The efficient element design ensures a high first time connection rate and an ongoing, robust communications link even in problematic coverage areas.

PRODUCTS

Part No.	Weight	Dimensions (L x W x H)	cable	installation	Connector	Color
M02-0500220ROA	35g	Φ 48*22.3mm	1000mm RG174	Adhesive type	SMA-Male	Black
M02-0500210ROA	37g	Φ 48*22.3mm	1000mm RG174	Magnetic suction	SMA-Male	Black
M02-0500350ROA	45g	Φ 48*22.0mm	1000mm RG174	Screw type	SMA-Male	Black
M02-0500140ROA	31g	Φ 48*22.3mm	1000mm RG178	Magnetic suction	IPEX1	Black

SPECIFICATIONS

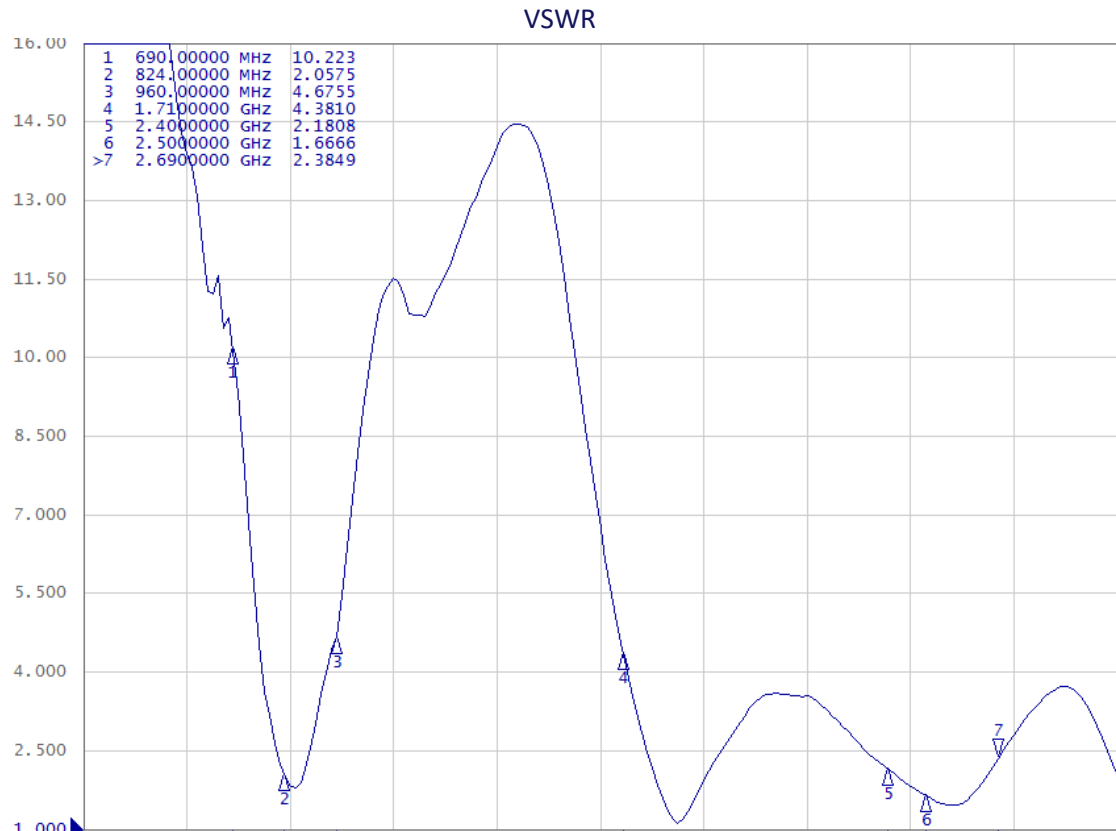
PARAMETER	SPECIFICATION	
Frequency Bands, MHz	698-960	1710-2690
VSWR (Max)	3.0:1	3.0:1
Peak Gain, dBi (Typ)	Up to 3.6	
Nominal Impedance	50 Ω	
Max Power (ambient temp of 25°C)	10 Watts	
Azimuth Beam Width (deg)	Omnidirectional	
Polarization	Linear	
Radome	ABS, Black	
Storage Temperature Range (°C)	-40° C to +85° C	
Operational Temperature Range (°C)	-30° C to +80° C	
Material Substance Compliance	REACH/RoHS Compliant	
HSCODE	8517707090	
USHSCODE	8517620010	
UPC		

MyAntenna RF Technology Co., Ltd

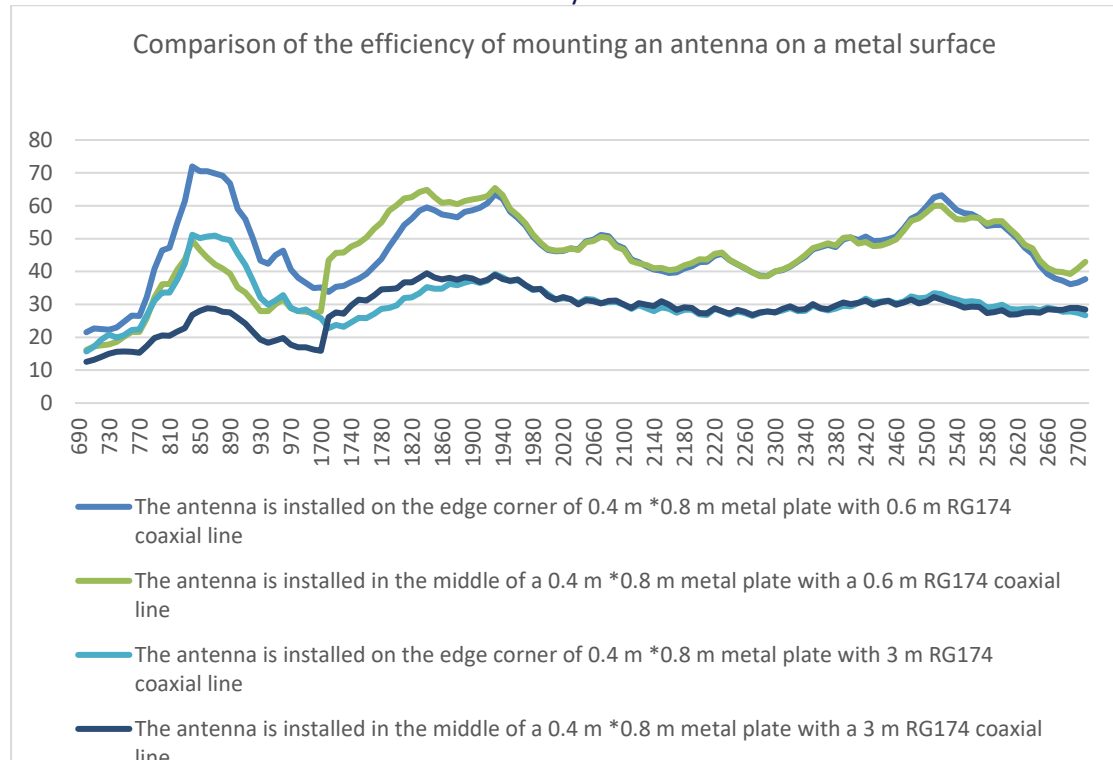
ADD: No.RM 405, R3-A Building, Shenzhen High-Tech Park, Nanshan, Shenzhen, P.R. China.

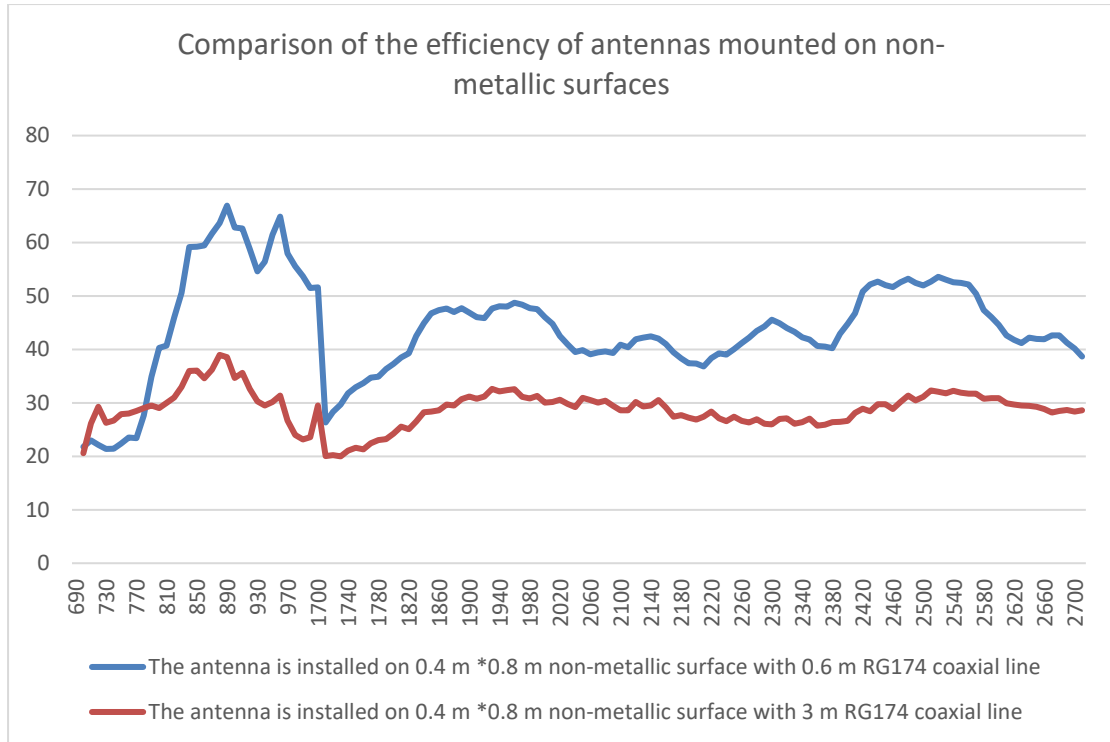
TEL: +86-0755-86503881 FAX: +86-0755-27801677 E-mail: nfc@myantenna.com

ELECTRICAL DATA

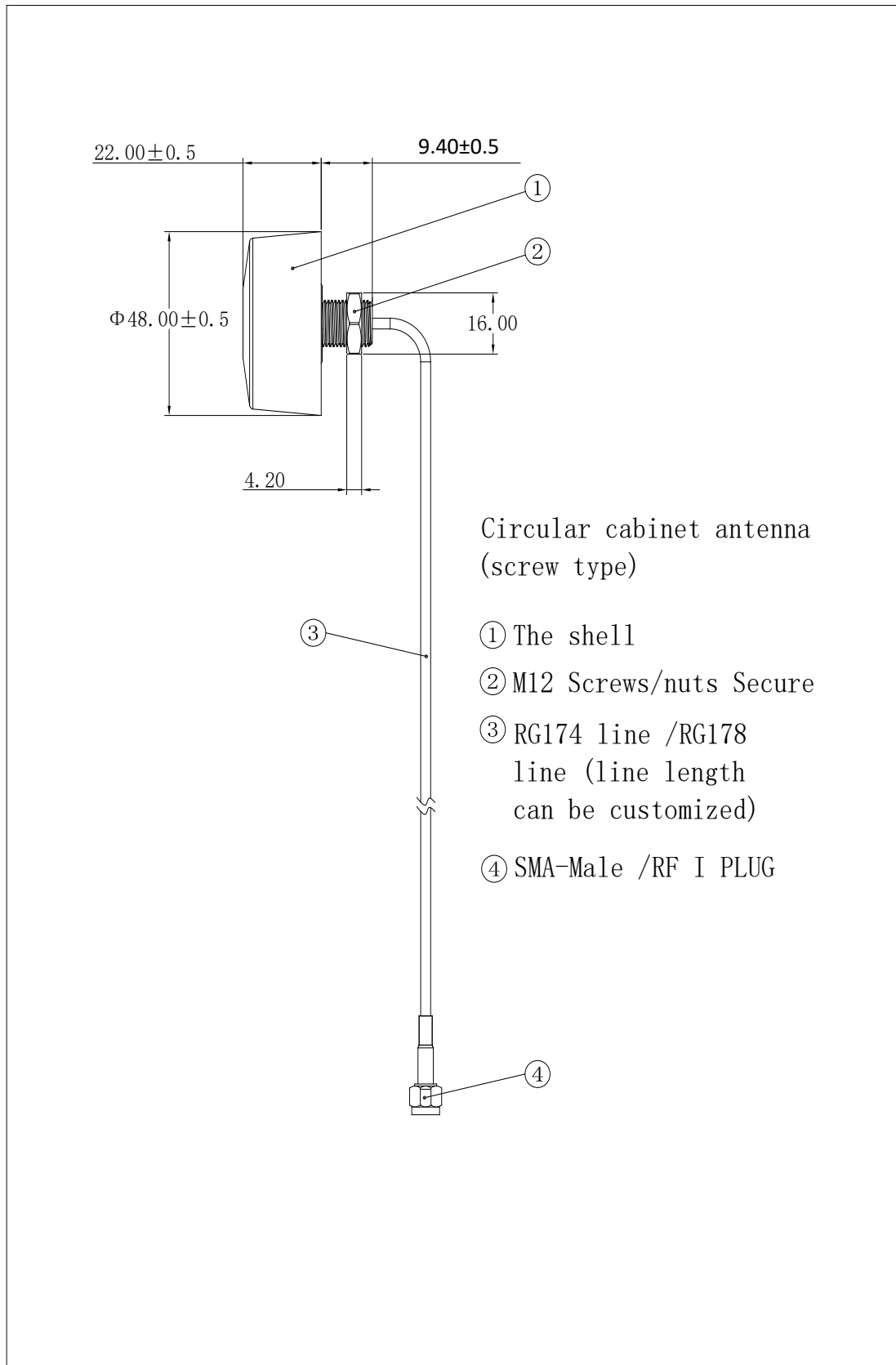


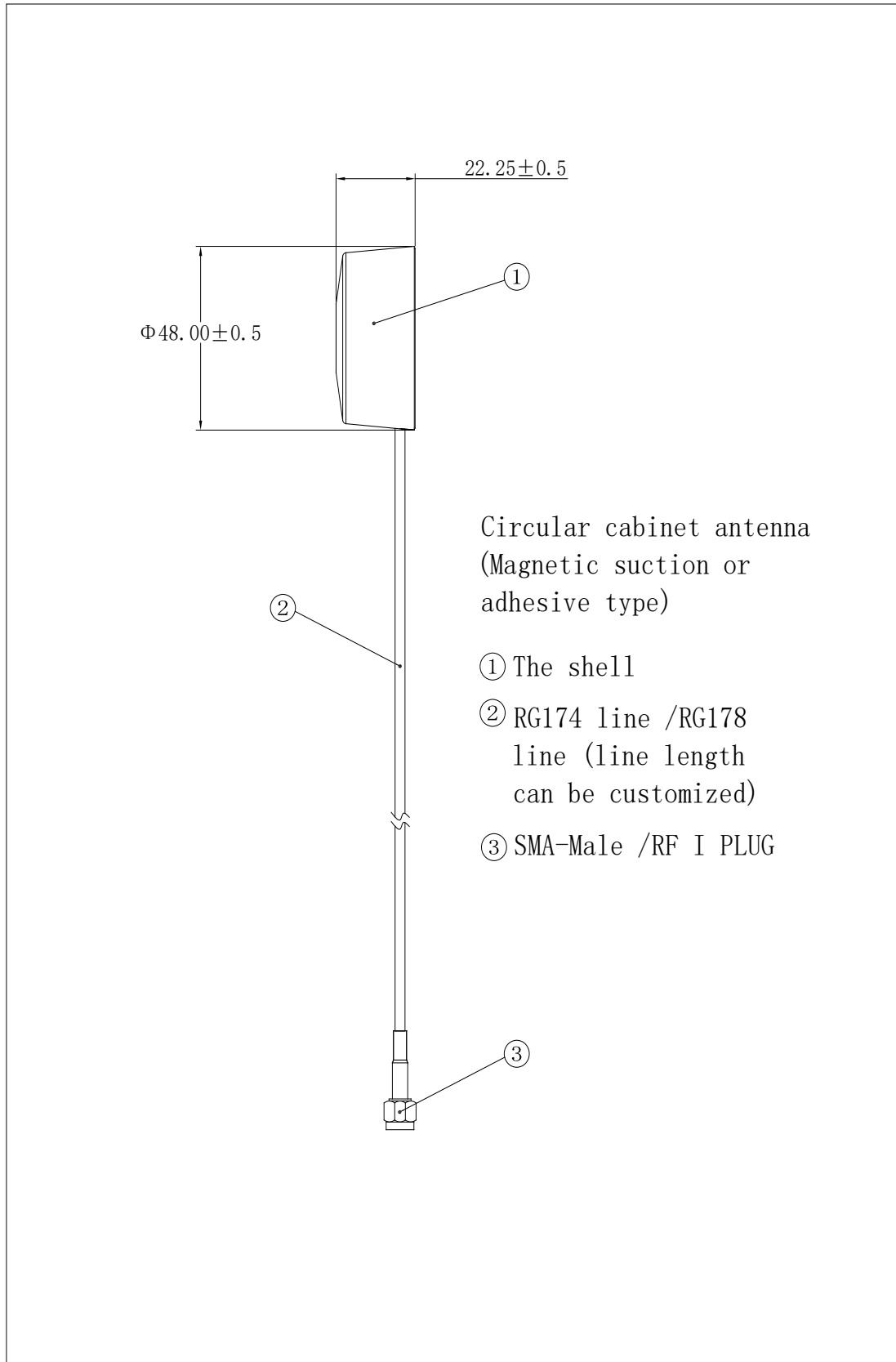
Efficiency (%)





HOUSING CONFIGURATIONS





Abosty™ is owned by Shenzhen MyAntenna RF Technology Co., Ltd. (often abbreviated as MyAntenna).

MyAntenna RF Technology Co., Ltd

ADD: No.RM 405, R3-A Building, Shenzhen High-Tech Park, Nanshan, Shenzhen, P.R. China.

TEL: +86-0755-86503881 FAX: +86-0755-27801677 E-mail: nfc@myantenna.com