

# 2.4&5.8G Round PIFA Antenna

## FEATURES



- Low Profile
- High Performance
- Anti-metal PIFA Antenna
- Ground Plane Independent
- Customizable Cable and Connector
- Adhesive, magnet, screw fixation installation mode, to meet a variety of different surfaces



This ground plane independent PIFA antenna can be installed on any surface via the single screw, magnetic

or adhesive mount, including metallic cabinet. The housing is manufactured with IP67/IP69 rated ABS UV stable material resisting dust, sand, and water in addition offers durability for long term usage in outdoor or indoor applications.

The antenna provides ground plane-independent 2.4&5.8G omnidirectional performance, making it a universal solution for any number of applications. Efficient component design ensures a high first connection rate and a continuous and stable communication link even in problematic coverage areas.

## PRODUCTS

Part No.	Weight	Dimensions (L x W x H)	Cable	Installation	Connector	Color
M02-0200120R0A	65g	Φ 48*22.0mm	1000mm RG174	Screw type	SMA-Male	Black
M02-0200160R0A			1000mm RG174	Magnetic type		
M02-0200150R0A			1000mm RG174	Adhesive type		
M02-0200060R0A	65g	Φ 48*22.0mm	3000mm RG174	Screw type	SMA-Male	Black

MyAntenna RF Technology Co., Ltd

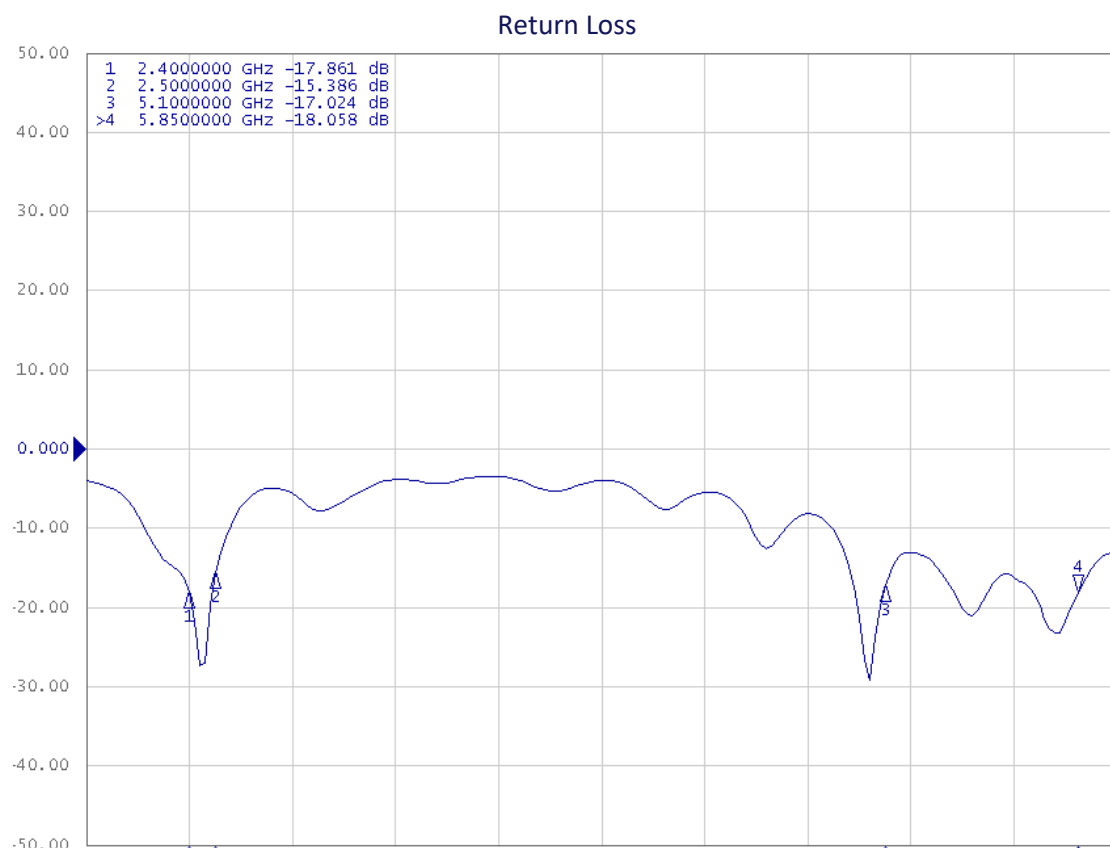
ADD: No.RM 405, R3-A Building, Shenzhen High-Tech Park, Nanshan, Shenzhen, P.R. China.

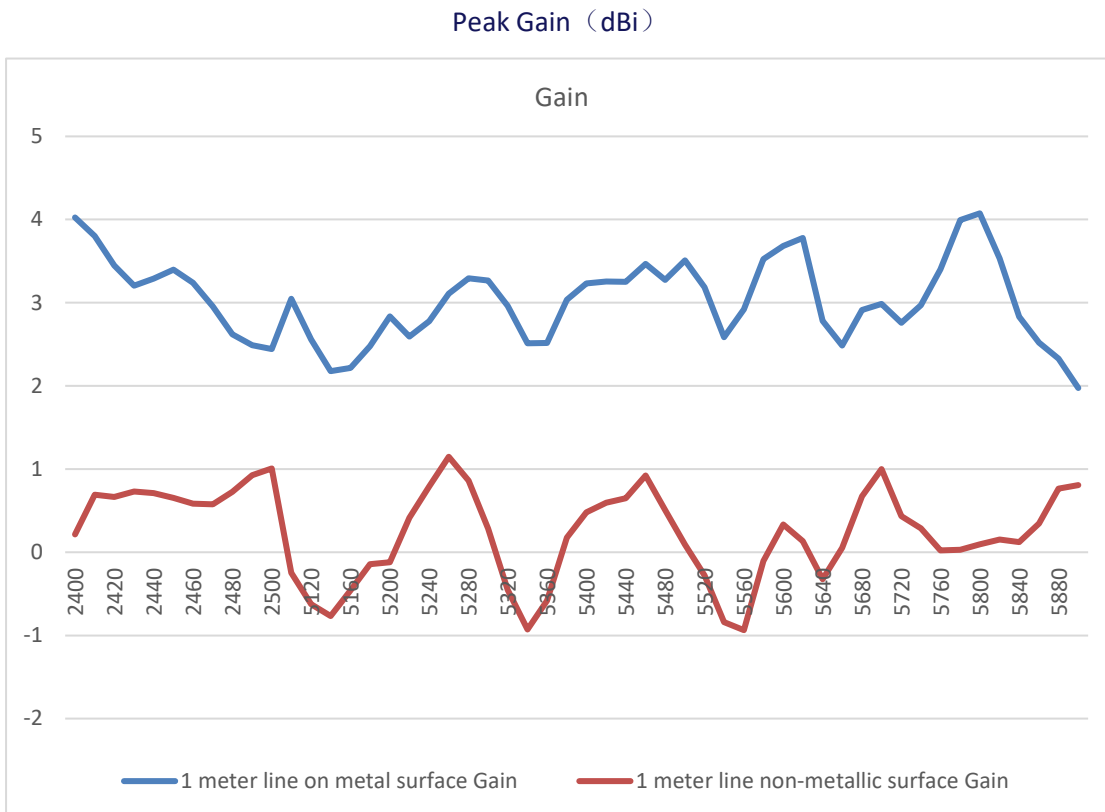
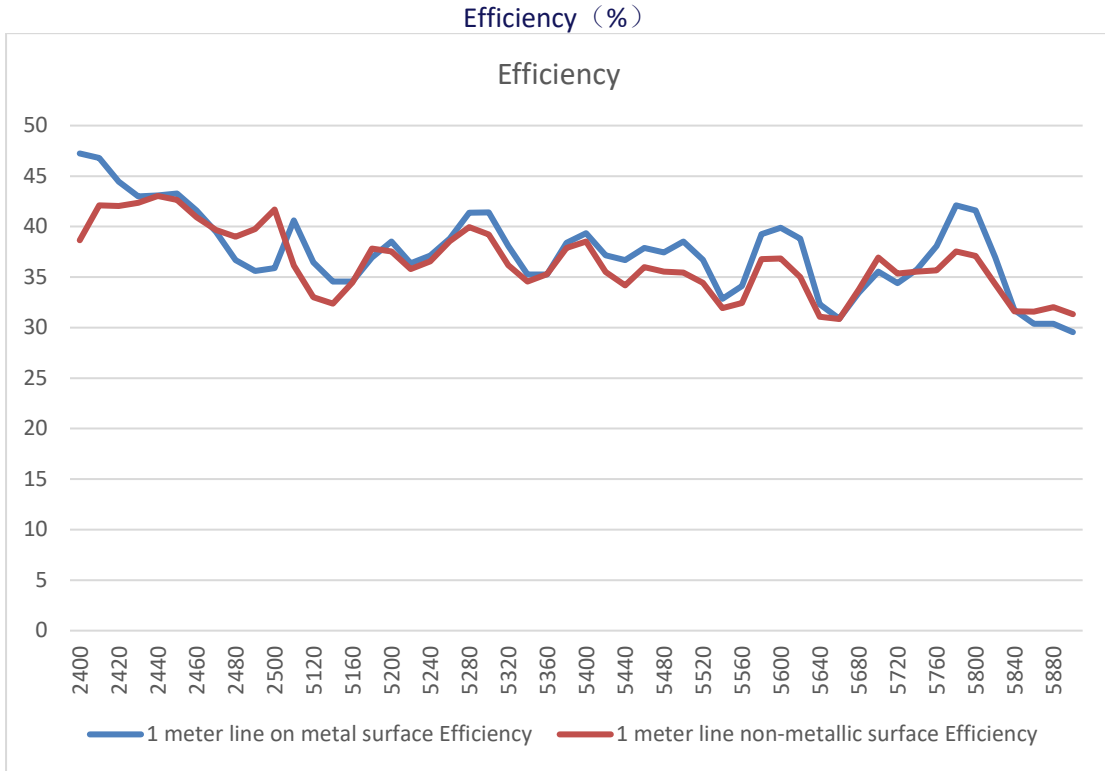
TEL: +86-0755-86503881 FAX: +86-0755-27801677 E-mail: [nfc@myantenna.com](mailto:nfc@myantenna.com)

## SPECIFICATIONS

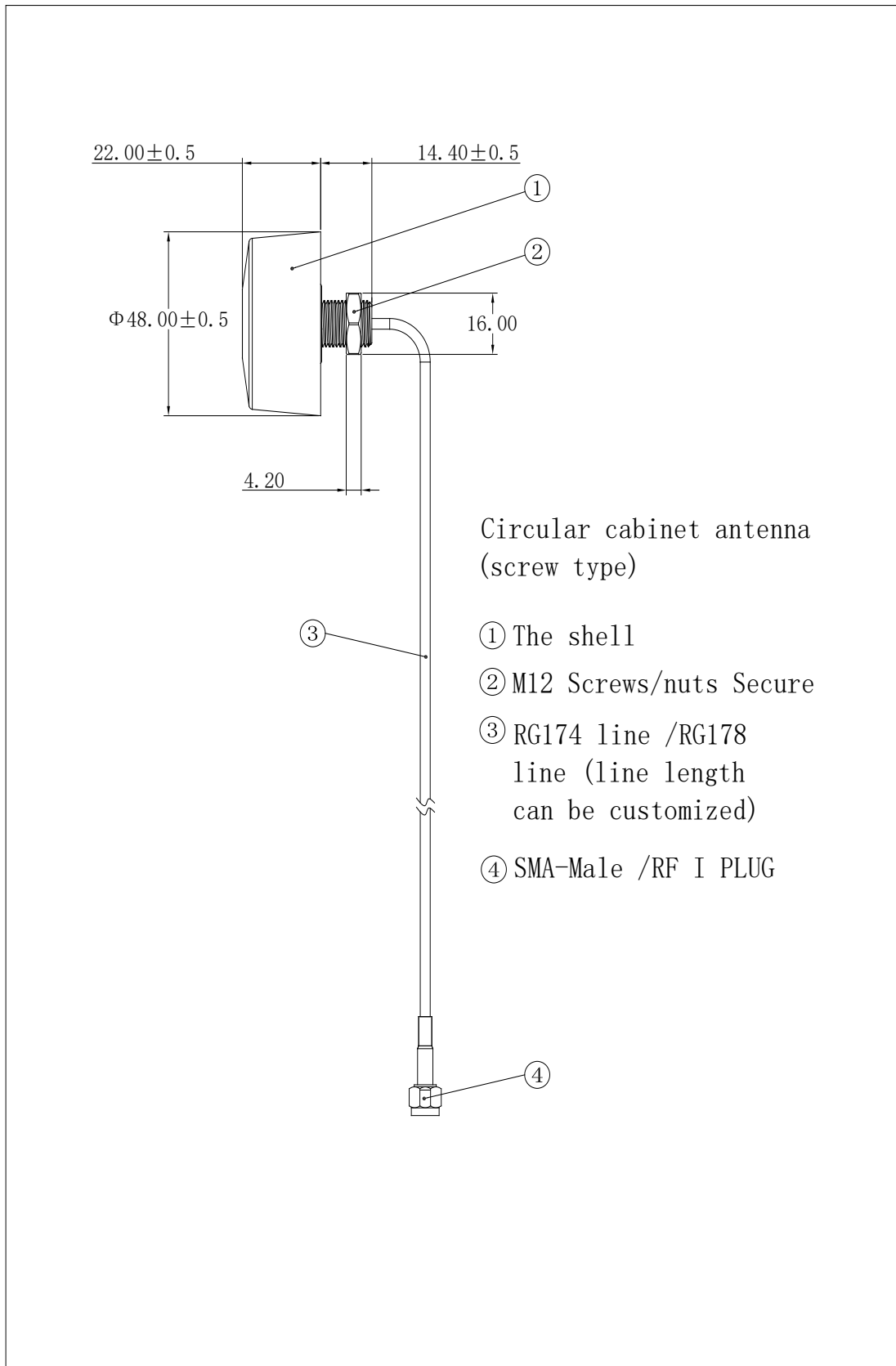
PARAMETER	SPECIFICATION	
Frequency Bands, MHz	2400-2500	5100-5850
VSWR (Max)	3.0:1	3.0:1
Peak Gain, dBi (Typ)	Up to 4.07@metal surfacee	
Nominal Impedance	50 $\Omega$	
Max Power (ambient temp of 25°C)	10 Watts	
Azimuth Beam Width (deg)	Omnidirectional	
Polarization	Linear	
Radome	PC, Black	
Storage Temperature Range (°C)	-40° C to +85° C	
Operational Temperature Range (°C)	-40° C to +80° C	
Material Substance Compliance	REACH/RoHS Compliant	
HSCODE	8517707090	
USHSCODE	8517620010	
UPC		

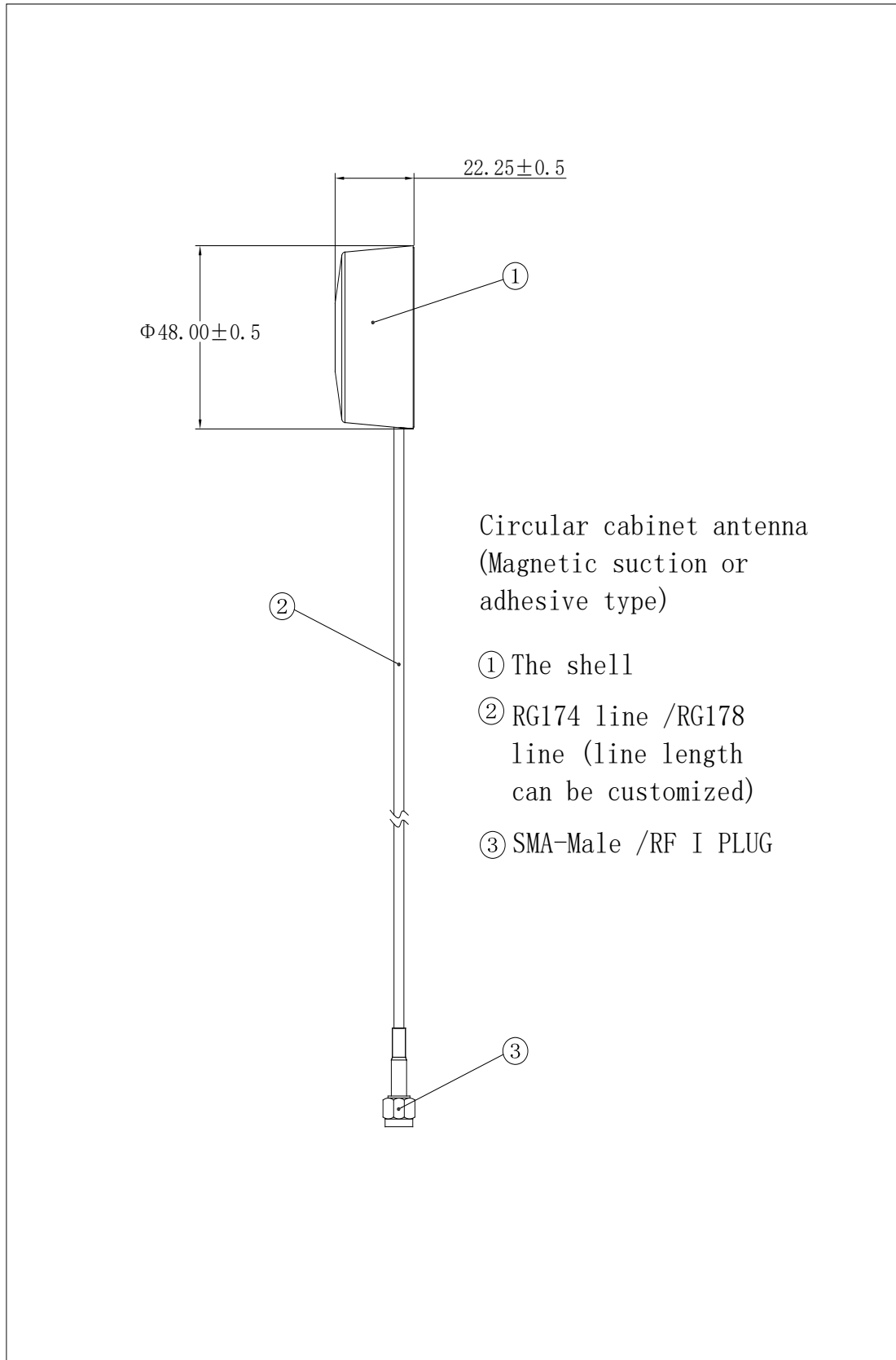
## ELECTRICAL DATA





HOUSING CONFIGURATIONS





Aboosty™ is owned by Shenzhen MyAntenna RF Technology Co., Ltd. (often abbreviated as MyAntenna).