

2.4G Paddle Monopole Antenna

FEATURES



- Designed for both Indoor & Outdoor applications
- Ground Plane dependent
- Full 2.4G backward compatibility
- 3.08 dBi Peak Gain
- Small Form Factor



The MyAntenna M02-0600190R0A range of antennas are designed to decrease the lifetime cost of M2M and mobile device installations by offering a robust, effective antenna that is easy to install and lasts the lifetime of the installation without the need for maintenance.

PRODUCTS

| Part No. | Weight | Dimensions (L x W x H) | Connector | Color |
|----------------|--------|------------------------|-----------|-------|
| M02-0600200R0A | 6g | 47.6*17.2*8.2mm | SMA-Male | Black |
| M02-0600190R0A | 6g | 50.5*17.2*10.4mm | SMA-Male | Black |

SPECIFICATIONS

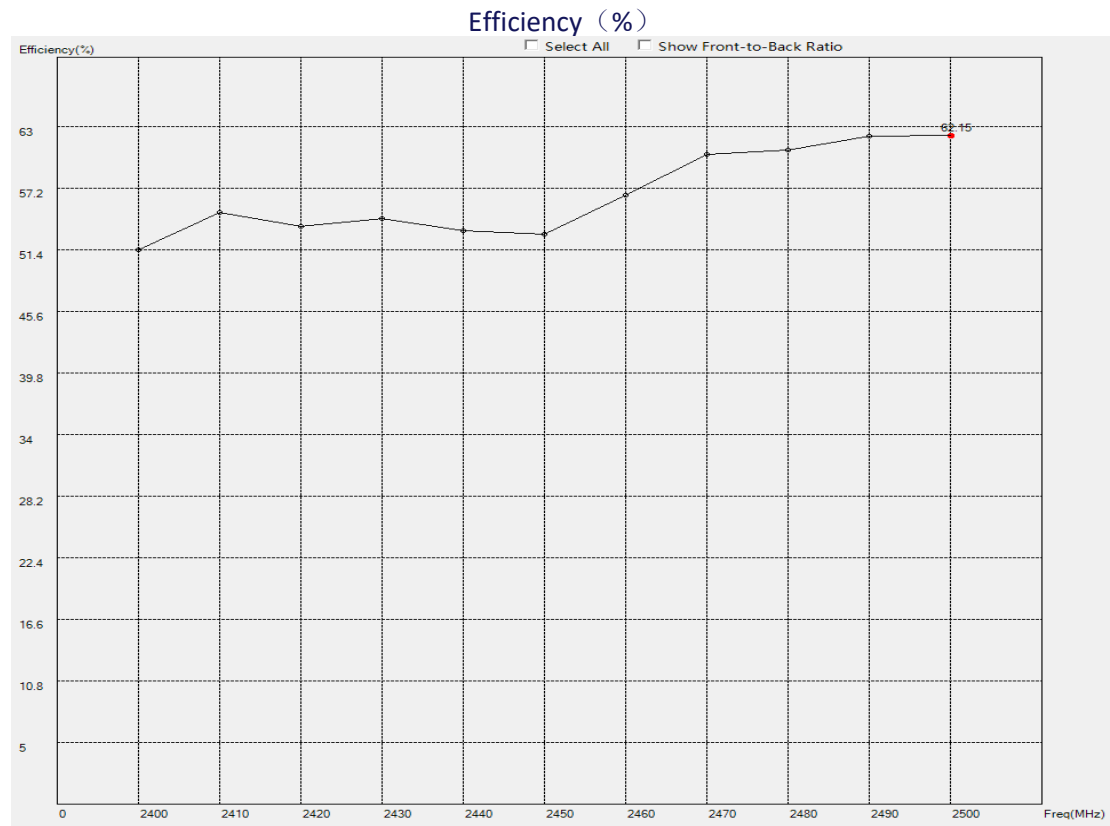
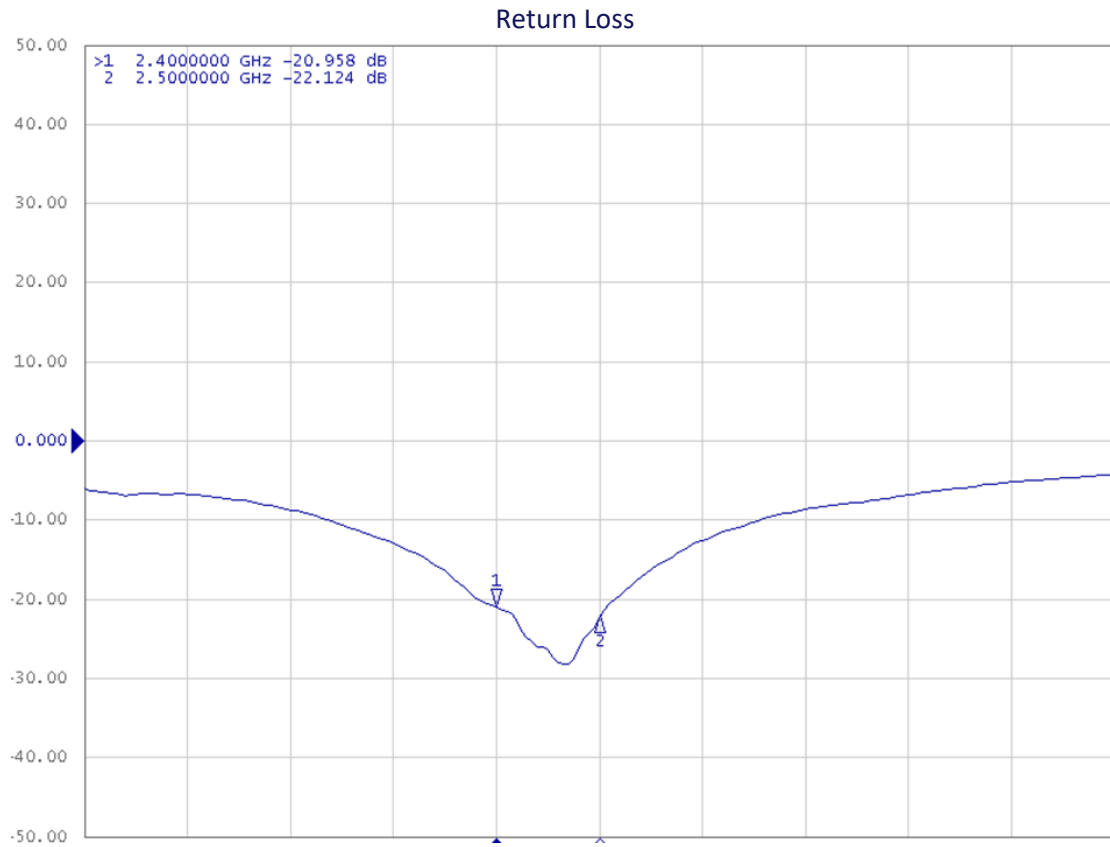
| PARAMETER | SPECIFICATION |
|------------------------------------|----------------------|
| Frequency Bands, MHz | 2400-2500 |
| VSWR (Max) | 3.0:1 |
| Peak Gain, dBi (Typ) | Up to 3.08 |
| Nominal Impedance | 50 Ω |
| Max Power (ambient temp of 25°C) | 10 Watts |
| Azimuth Beam Width (deg) | Omnidirectional |
| Polarization | Linear |
| Radome | TPE, Black |
| Storage Temperature Range (°C) | -40° C to +85° C |
| Operational Temperature Range (°C) | -30° C to +80° C |
| Material Substance Compliance | REACH/RoHS Compliant |
| HSCODE | 8517707090 |
| USHSCODE | 8517620010 |
| UPC | |

MyAntenna RF Technology Co., Ltd

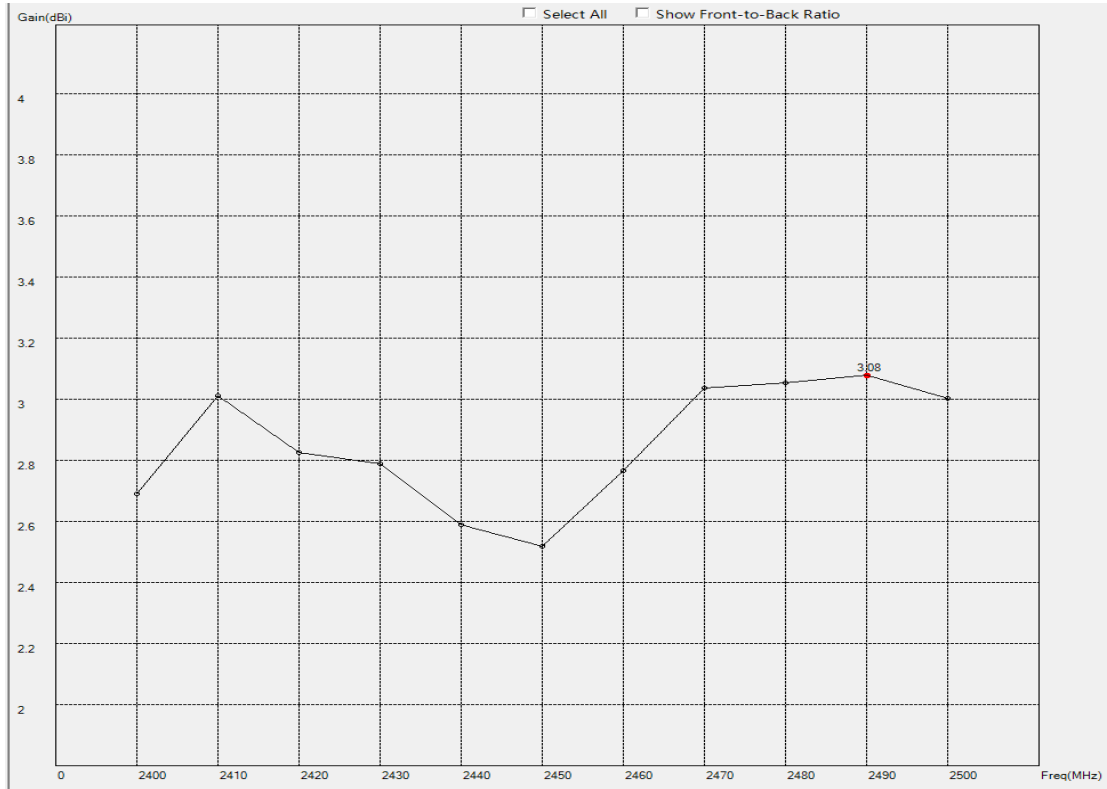
ADD: No.RM 405, R3-A Building, Shenzhen High-Tech Park, Nanshan, Shenzhen, P.R. China.

TEL: +86-0755-86503881 FAX: +86-0755-27801677 E-mail: nfc@myantenna.com

ELECTRICAL DATA

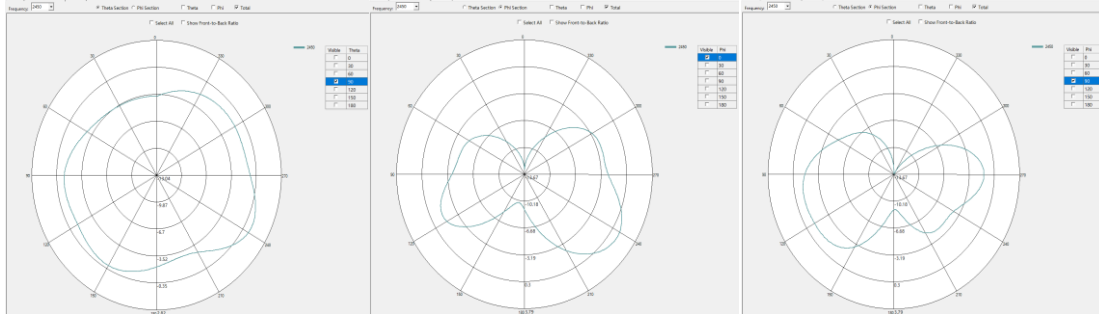


Peak Gain (dBi)



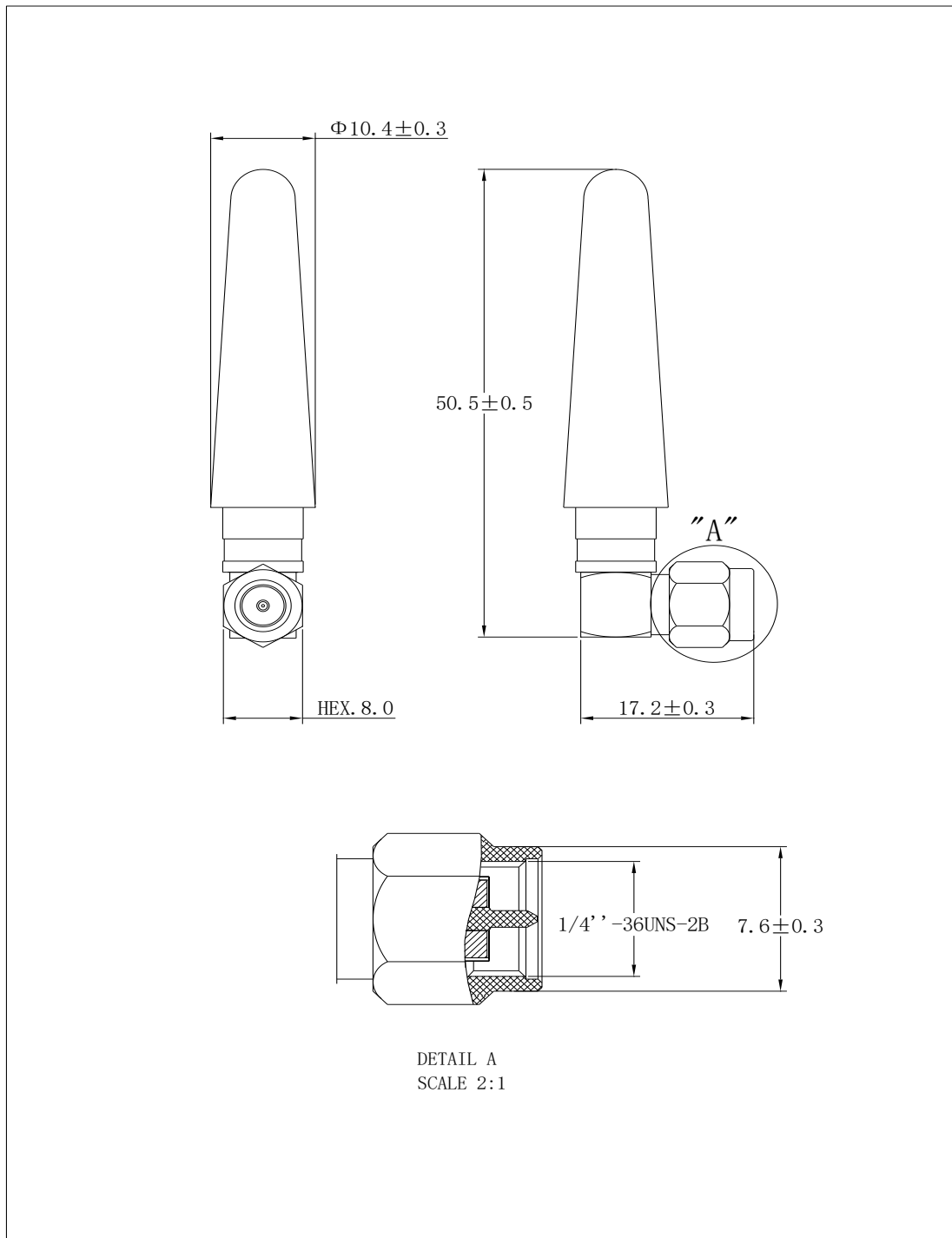
RADIATION PATTERNS

2D Radiation Pattern at 2450MHz



HOUSING CONFIGURATIONS

M02-0600190R0A



M02-0600200R0A

